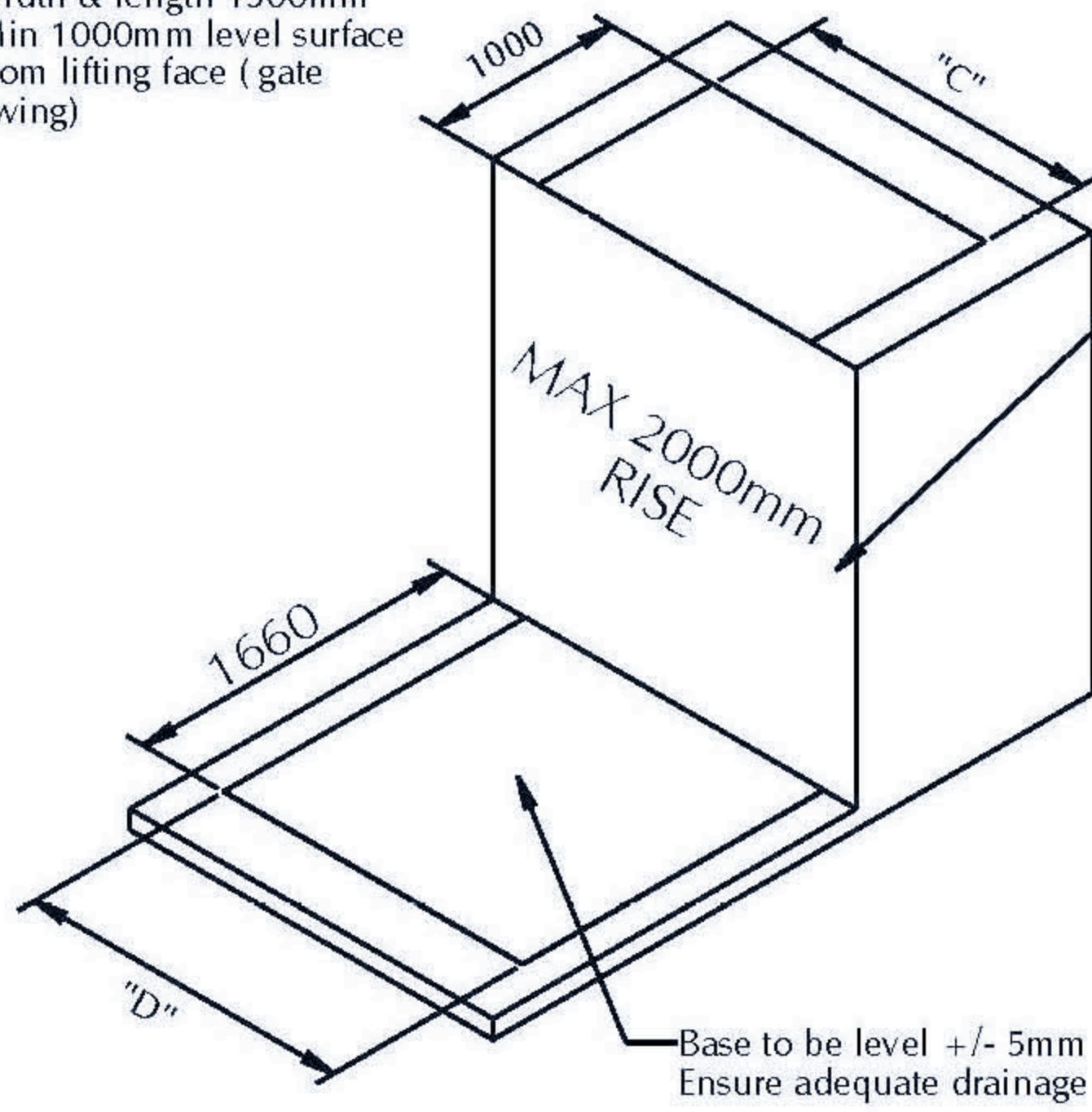


Min thickness 200mm
Min width & length 1500mm
Min 1000mm level surface
from lifting face (gate
swing)

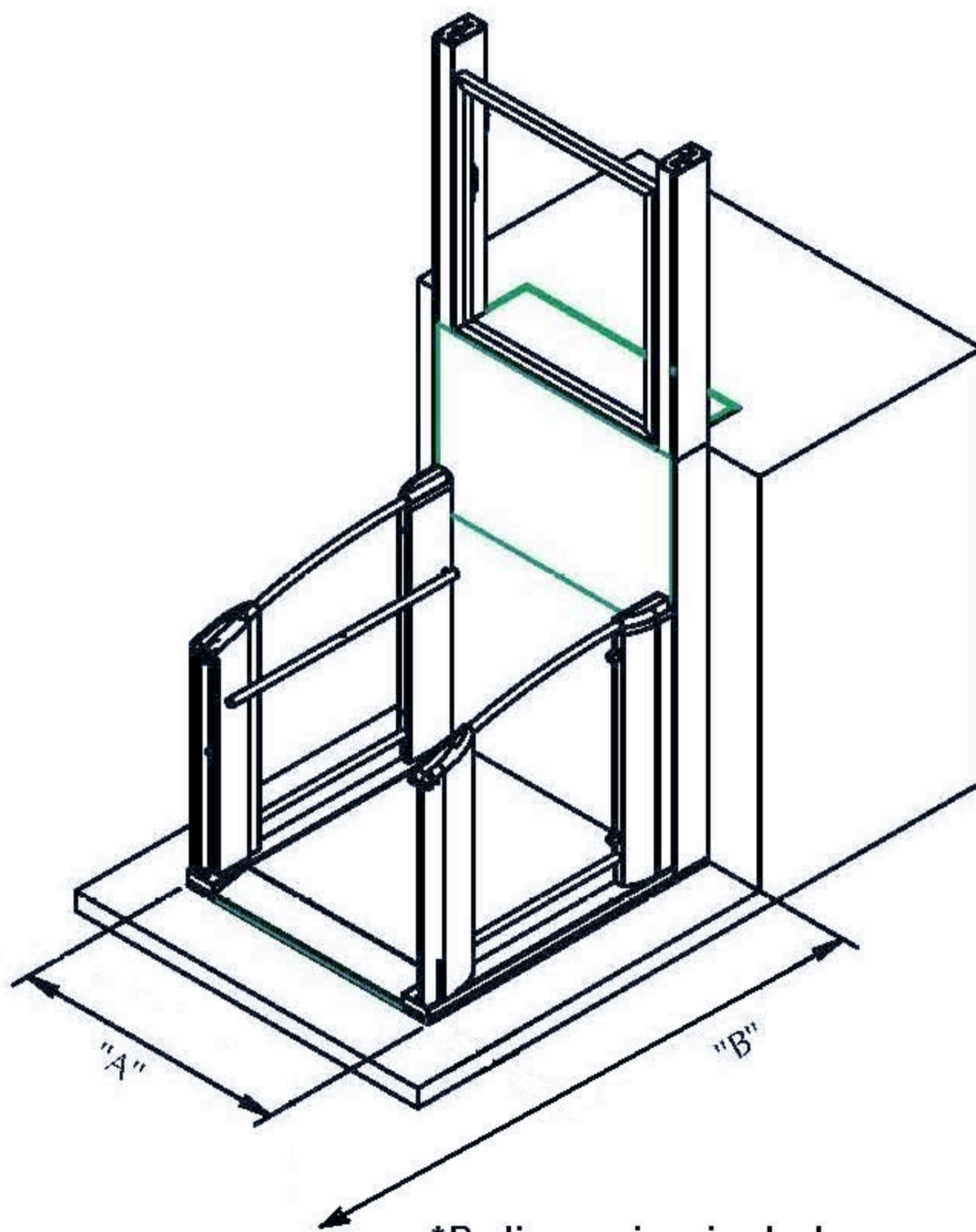


Rise must be vertical
and smooth. This face
must be structural.

min head clearance 2m + travel

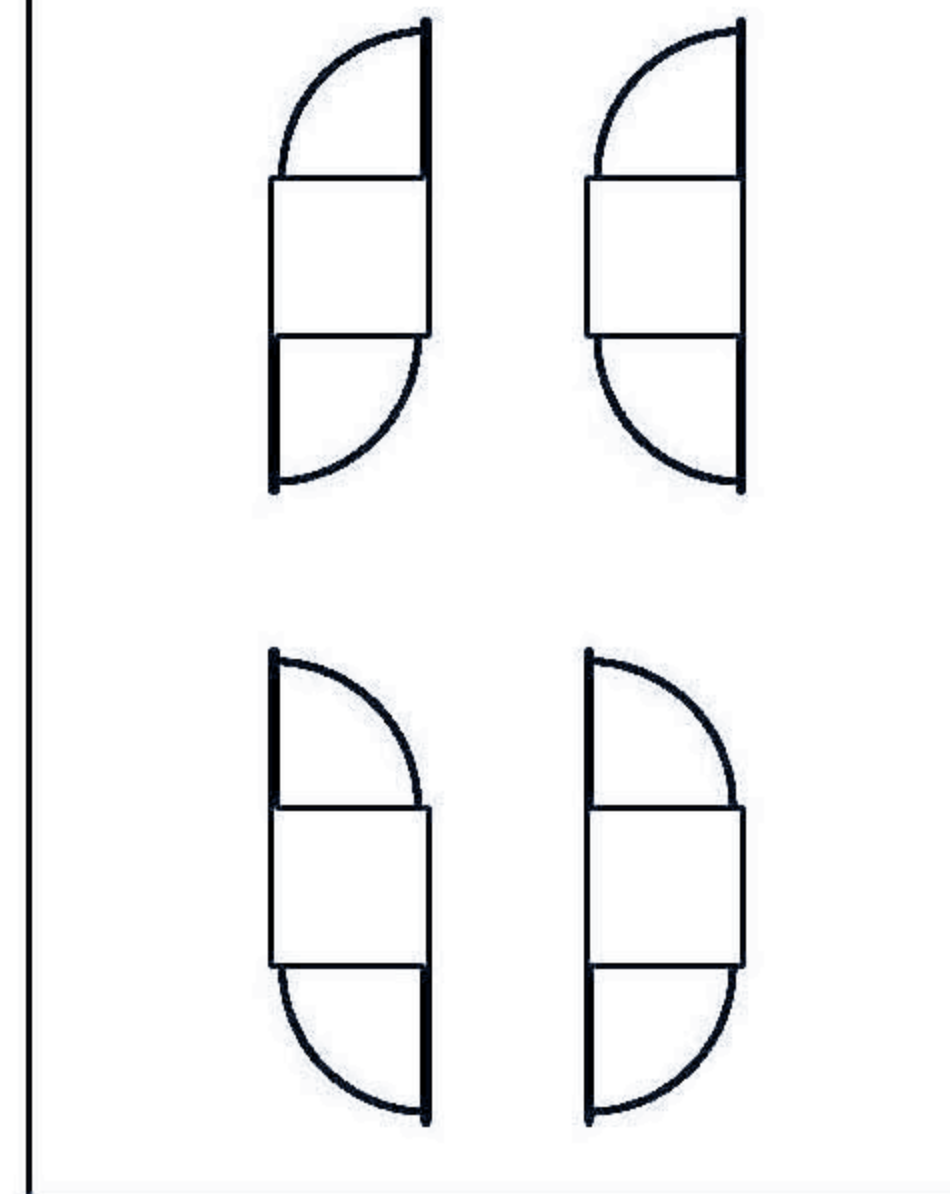
Lift Size	"A"	"B"	"C"	"D"
800W	1110	3150*	1150	1150
900W	1210	3150*	1250	1250
1100W	1410	3150*	1450	1450

Lift must NOT be located over external services
e.g. mains water stop tap. manhole etc.



*B dimension includ
1500mm x1500mm Circulation
Space or straight access.
Min level surface from front edge
of base (gate swing)

GATE HANDING OPTIONS



Power Supply Requirements - 240V 13amp Power Supply to be fitted within 6m of lift position
draw wire/trunking to run from spur to centre of lift rise face.