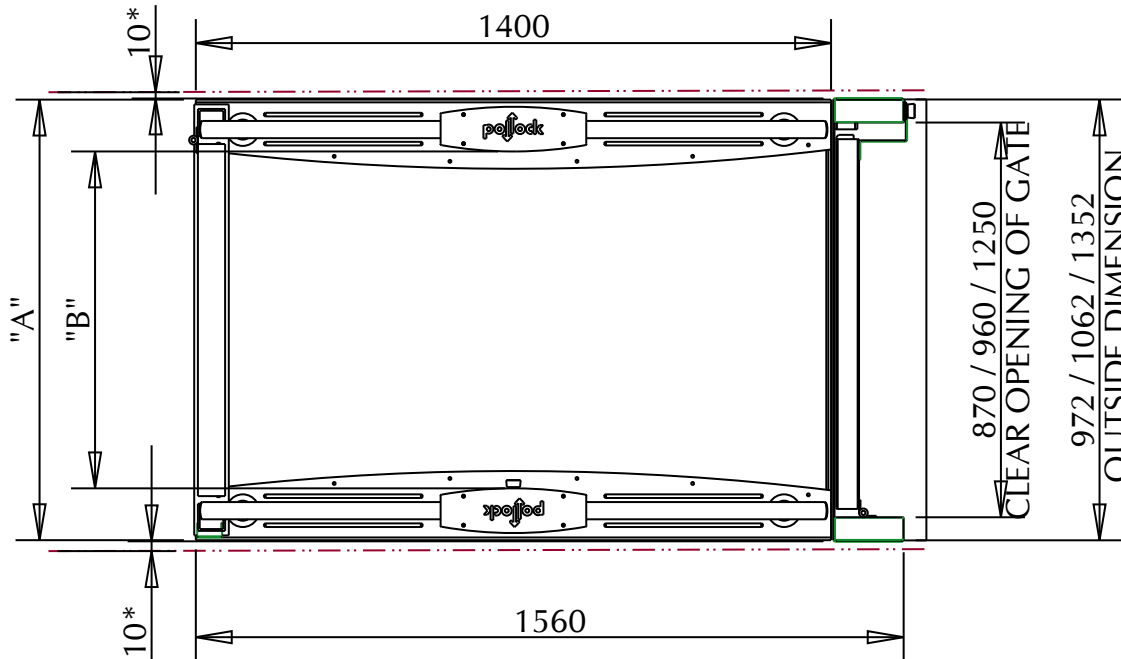
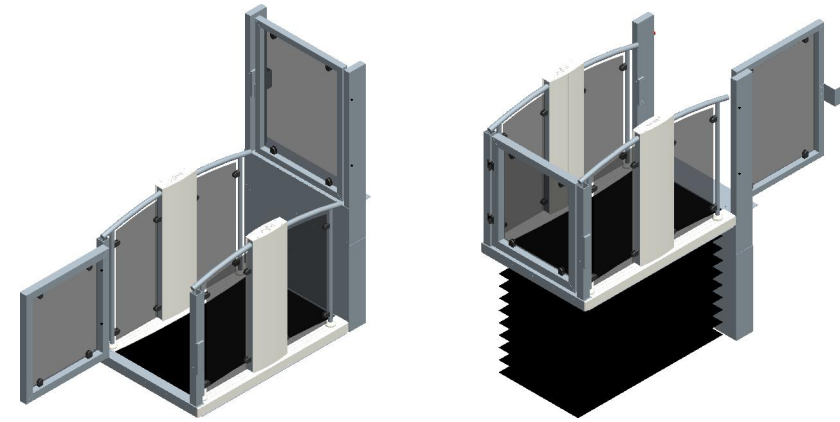


Steplift SIZE	"A"	"B"	"C"
740W	975	740	995
830W	1065	830	1085
1100W	1355	1120	1375



CLEARANCE EITHER SIDE
OF STEPLIFT MUST BE
< 10mm OR > 150mm TO
COMPLY WITH BS6440.

PIT EDGES MAY NEED
TO BE INFILLED AROUND
LIFT BY BUILDER
AFTER LIFT INSTALLATION.

