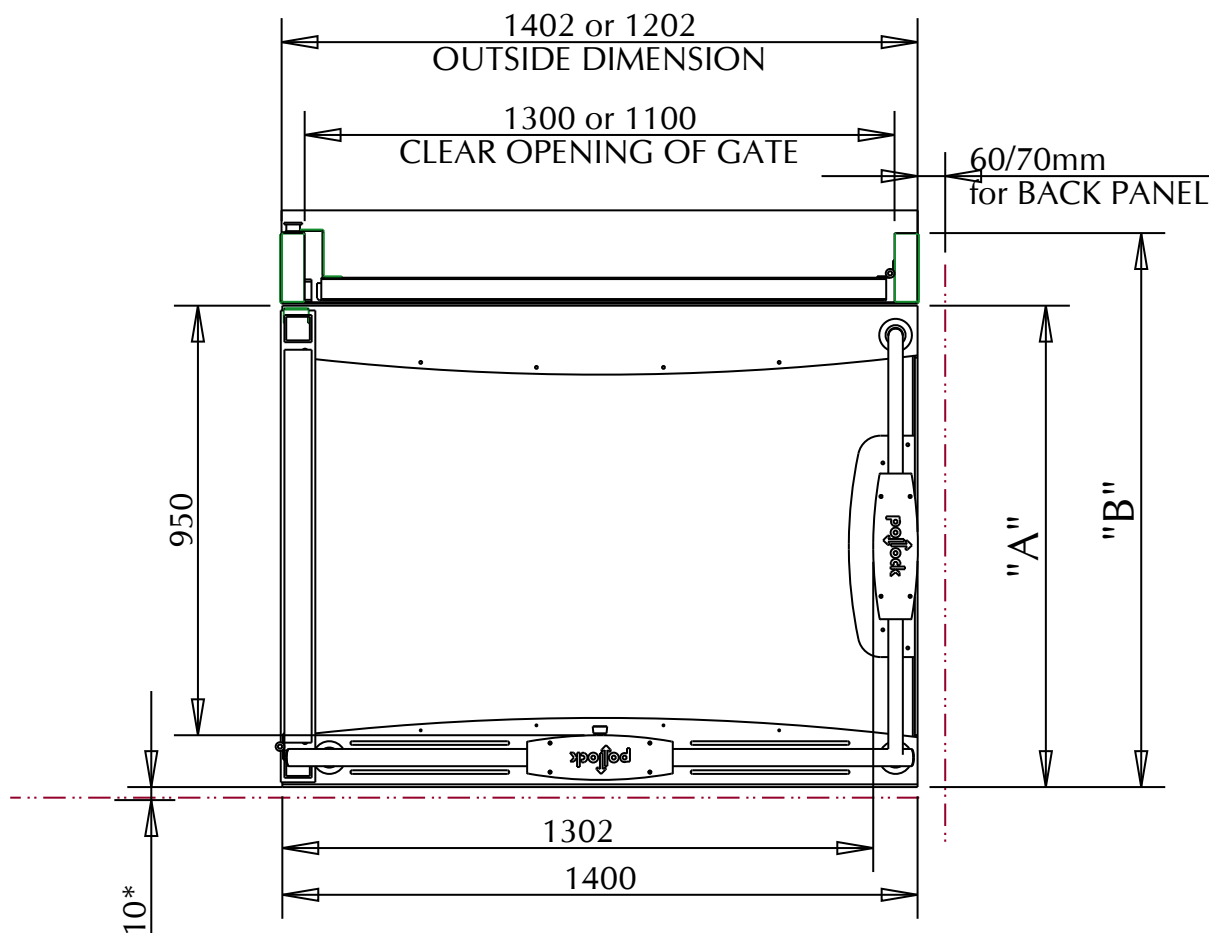
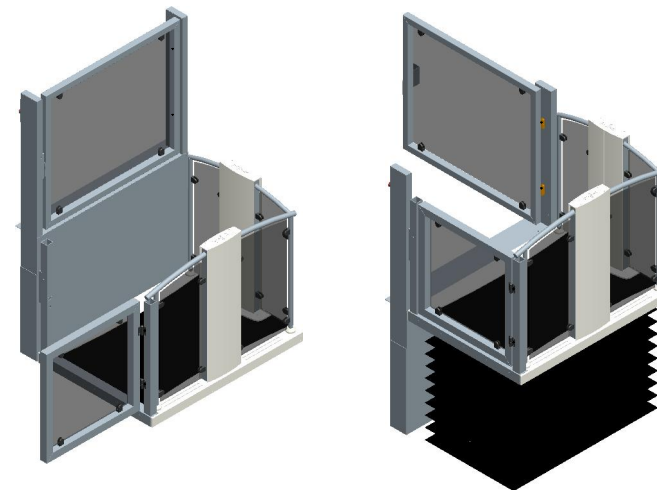


POLLOCKLIFTS - TEL. +44 28 9336 8167, www.pollocklifts.co.uk, info@pollocklifts.co.uk



Drawing by:
Tomasz LUKASZEK

| Steplift SIZE | "A" | "B" | "C" |
|---------------|------|------|------|
| 740W | 975 | 1135 | 1145 |
| 830W | 1065 | 1225 | 1235 |
| 1100W | 1355 | 1515 | 1525 |



CLEARANCE EITHER SIDE
OF STEPLIFT MUST BE
< 10mm OR > 150mm TO
COMPLY WITH BS6440.

PIT EDGES MAY NEED
TO BE INFILLED AROUND
LIFT BY BUILDER
AFTER LIFT INSTALLATION.

