

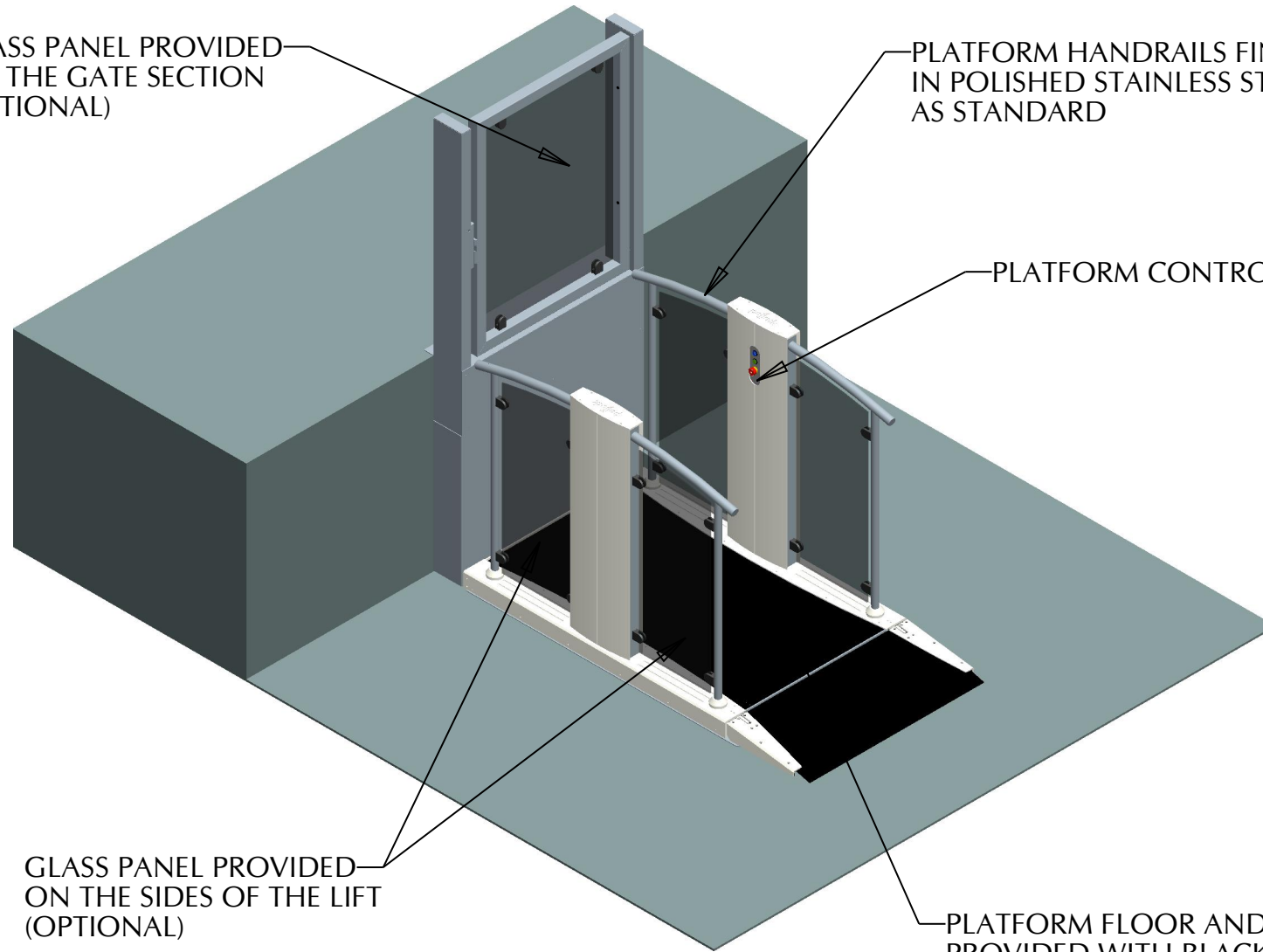
GLASS PANEL PROVIDED
ON THE GATE SECTION
(OPTIONAL)

PLATFORM HANDRAILS FINISHED
IN POLISHED STAINLESS STEEL
AS STANDARD

PLATFORM CONTROLS

GLASS PANEL PROVIDED
ON THE SIDES OF THE LIFT
(OPTIONAL)

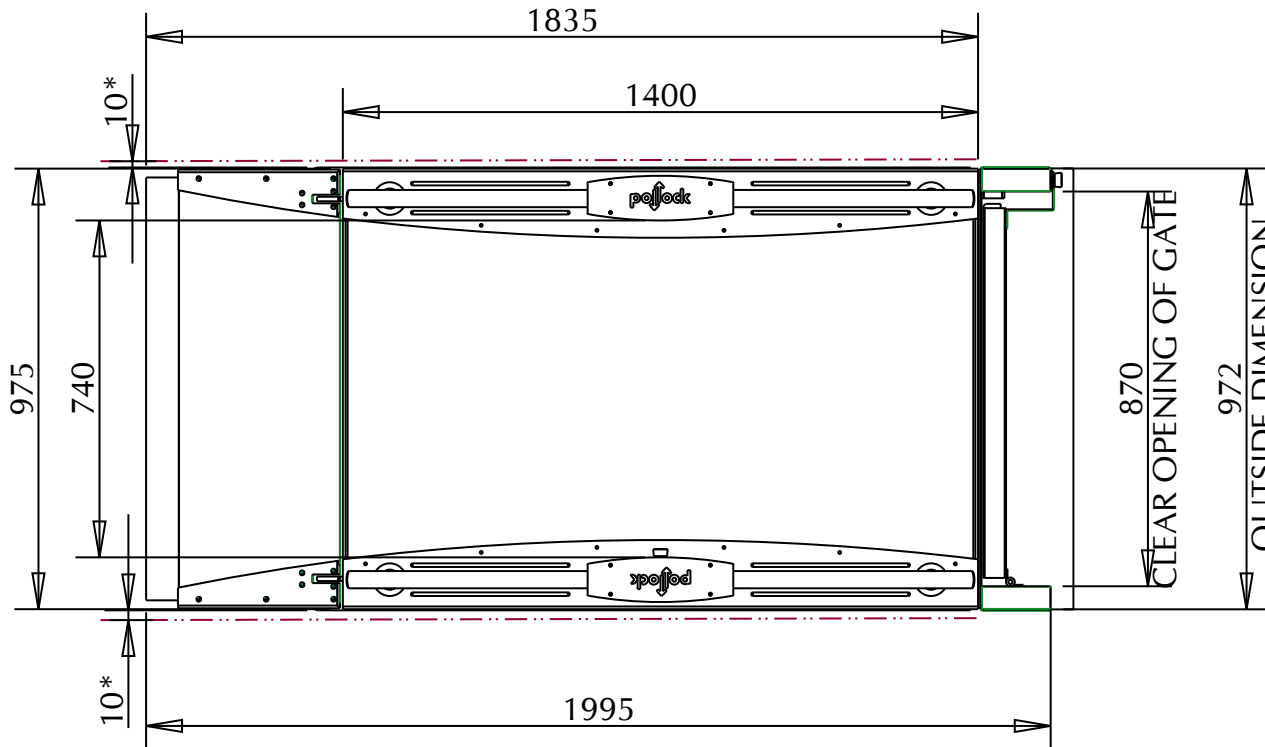
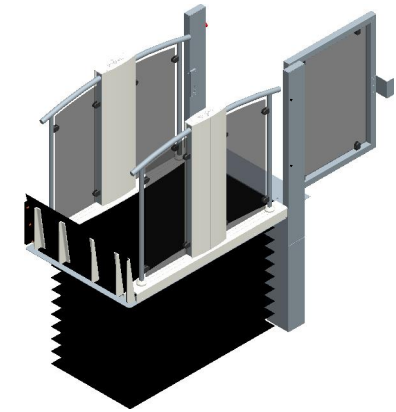
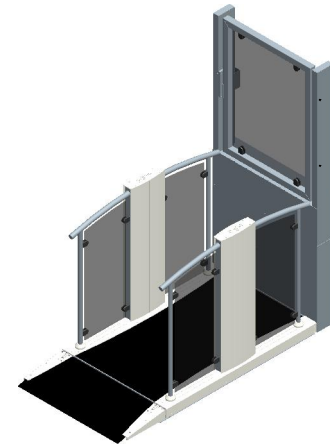
PLATFORM FLOOR AND RAMP
PROVIDED WITH BLACK
ANTI-SLIP MAT



740x1400 STEPLIFT THROUGH ENTRY

LOWER LEVEL

UPPER LEVEL



CLEARANCE EITHER SIDE
OF STEPLIFT MUST BE
< 10mm OR > 150mm TO
COMPLY WITH BS6440.

