

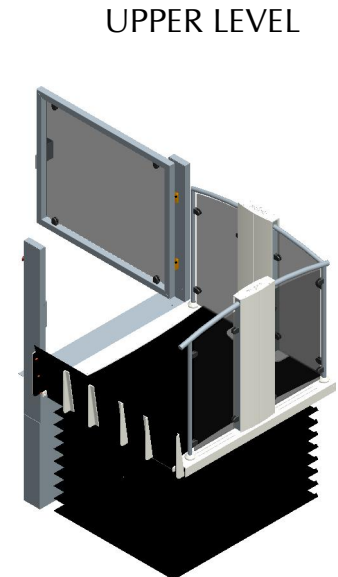
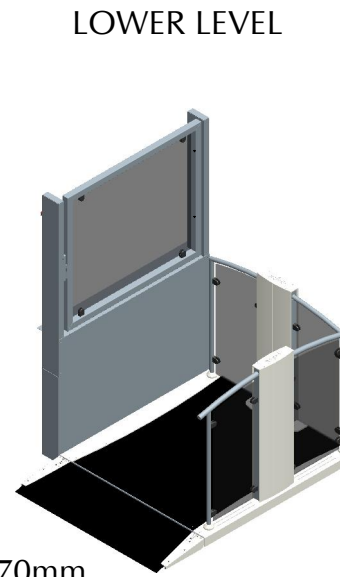
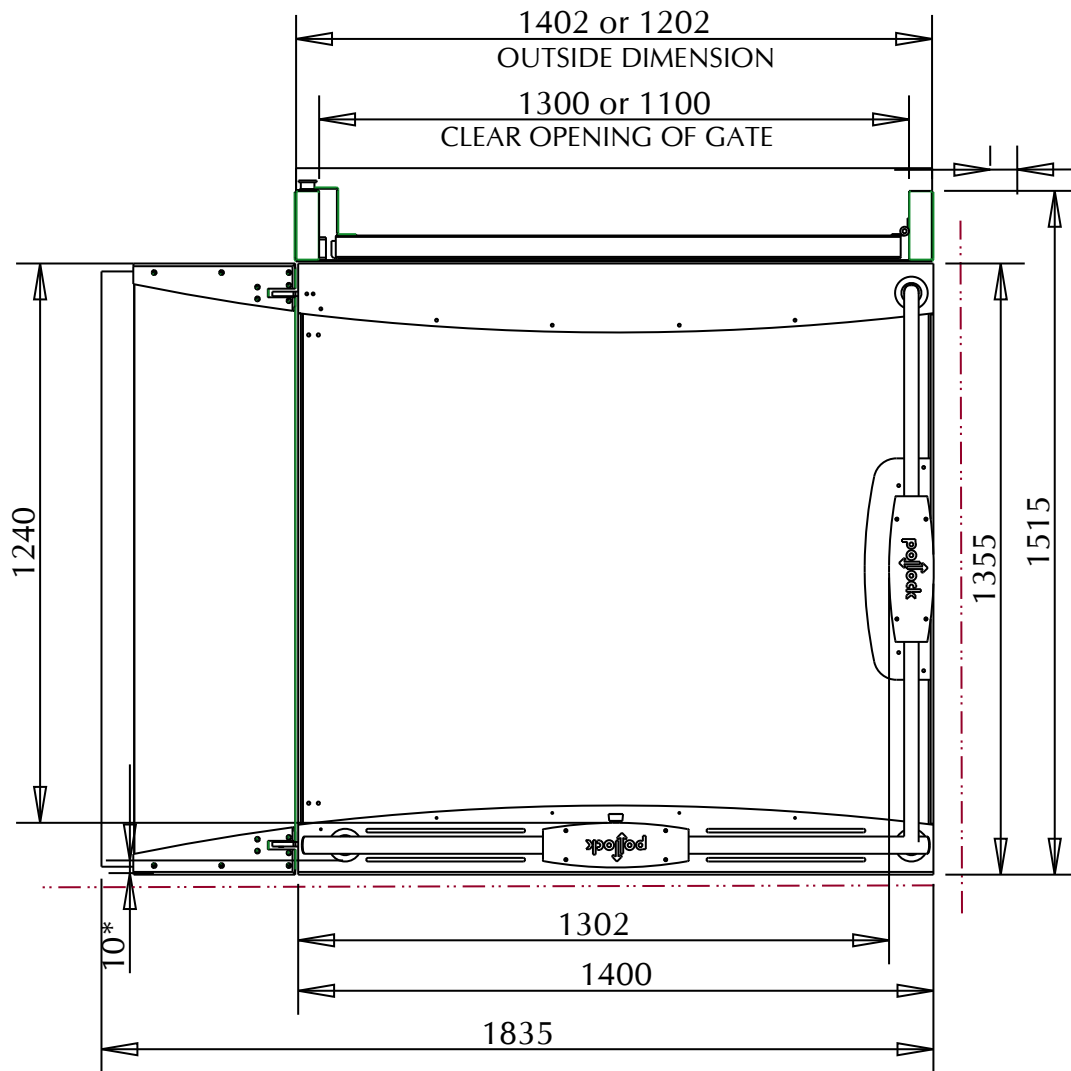
PLATFORM FLOOR AND RAMP PROVIDED WITH BLACK ANTI-SLIP MAT

GLASS PANEL PROVIDED ON THE GATE SECTION (OPTIONAL)

PLATFORM HANDRAILS FINISHED IN POLISHED STAINLESS STEEL AS STANDARD

GLASS PANEL PROVIDED ON THE SIDES OF THE LIFT (OPTIONAL)

1100x1400 STEPLIFT ADJACENT ENTRY



CLEARANCE EITHER SIDE
OF STEPLIFT MUST BE
< 10mm OR > 150mm TO
COMPLY WITH BS6440.

