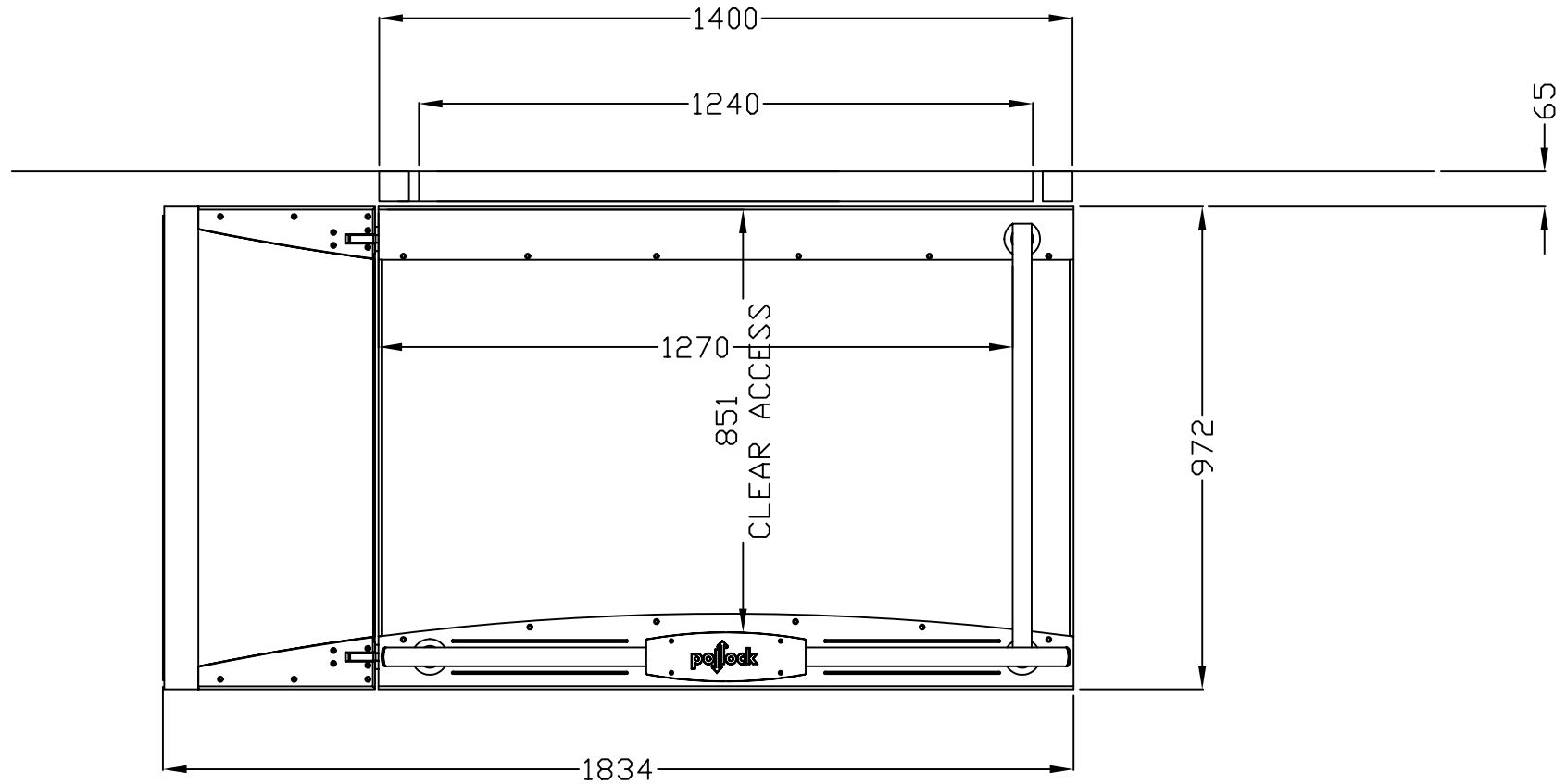
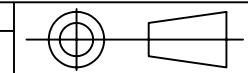


ALL DIMENSIONS IN MM

TOLERANCE: +/- 0.25 MM UNLESS OTHERWISE STATED

DEBURR ALL SHARP EDGES

DO NOT SCALE DRAWING



				MACHINE TYPE		TITLE		PART NUMBER		CAD DRAWING REF.	
				STEP LIFT		GENERAL ARRANGEMENT SIDE ACCESS STEPLIFT		50900191		50900191 .DWG	
								SHEET OF		BOOKS	
				SCALE REF.	DRN. BY	DATE	CHD. BY	DATE	 Freedom To Enjoy Living		
ISSUE	DATE	BY	REVISION	N.T.S.	S.M	12/06/03					